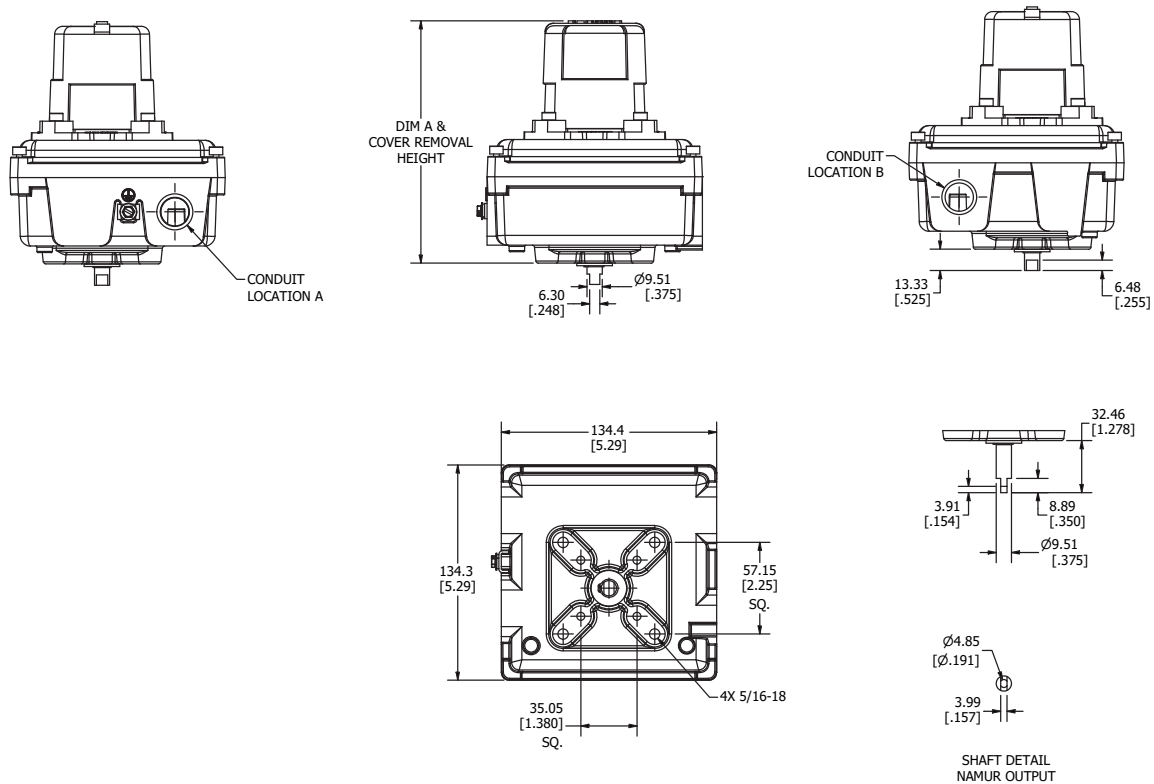


ACCUTRAK™ 1040/9358/9044/9467 ROTARY POSITION MONITORS

WEATHERPROOF – NEMA

MODELS 2004/9044 DIMENSIONS



Dimensions in inches, where available metric dimension (mm) in parentheses

TECHNICAL SPECIFICATIONS

Materials of construction

Enclosure	Aluminum with powder coat finish
Shaft and hardware	Stainless steel
Bushing	Oil impregnated bronze
Beacon visual indicator	Co-polyester

Drive shaft

Standard	Double-D with 1/4" A/F
Option	NAMUR standard VDI/VDE 3845

Available switches

Model 2004	V3 mechanical switches, SPDT DPDT (Form CC) mechanical switches
Model 9044	Magnum, SPDT hermetically sealed switches with tungsten contacts Magnum, SPDT hermetically sealed switches with rhodium contacts MagPAC bifurcated switch pack

Options

4-20 mA Position Transmitter
Stainless steel enclosure

NOTES

1. See selection guide for standard conduit entries.
2. See switches and sensors data sheet for further information.
3. Please consult your sales office for any other requirements.

